

# INK JET PRINTER

# HITACHI

Continuous Ink Jet Printer for Industrial Marking

## Hitachi IJ Printer **PB** model

*with Large Liquid Crystal Touch Panel (8.9 inch)*

**User-friendly !**

**Cost performance !**

**Light & Small !**



# Hitachi IJ Printer PB model

## More Reliability

- Full protection against dust and water jets in harsh environment. [IP45 (Test Specification:IEC60529:2001)]
- New viscosity control and current ink density control help to achieve stable drop formation and high quality printing.
- Improved ink circulation system provides more stable ink return.
- More wide operating temperature 32–113°F (JP-K67 ink).

## Integration of high-tech and state-of-the-art design

- Easy and quick operation by large liquid crystal display and touch panel (8.9 inch).
- Nozzle and gutter are automatically cleaned before stopping.
- Small footprint and light.
- Solvent evaporation reduced by the ink return system which confines the mixing of air and ink.
- Basic printing functions are available. [Creation of user pattern, bold printing, etc.]
- Various coding functions are available. [Date/ time automatic update, numbering, etc.]
- User-friendly coding functions are available. [Recall/ save print message, repeat print, product speed matching, etc.]
- Help functions are available. [User help messages, log management, password, etc.]



Ink jet printing is carried out by electronically controlled ink drops to ensure perfect printing positioning.

## Easy maintenance

- Easy replacement of ink filter by developed ink system.
- Strong printhead.



# Hitachi IJ Printer PB model

The versatility of the Hitachi PB model allows for perfect printing on a broad range of products.



1 Line (5 x 7)	2 Line (5 x 7 Bold)	2 Line (7 x 10)
USE BY 04.03.20 LOT.NO.0123456789	LOT NO. ABCD-1234	USE BY 03.06.20 MFG.NO.04.03.25
MFG.NO.04.08.20 HITACHI		
Bold (5 x 7)	Bold (7 x 10)	Logo (7 x 10)
5x7 DOUB	7x10 DOUB	☺ ☻ ☼ ☽ ☿

## Standard Specifications : PB model

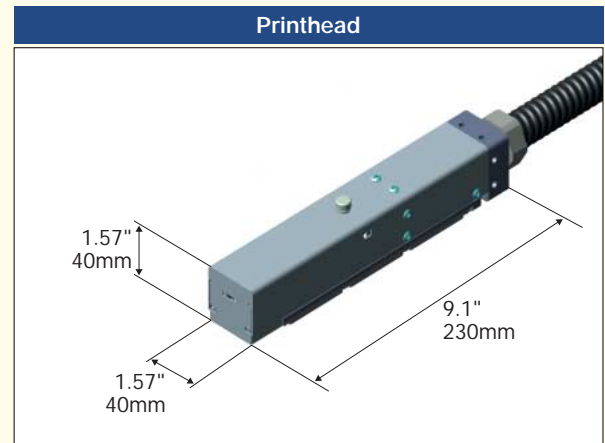
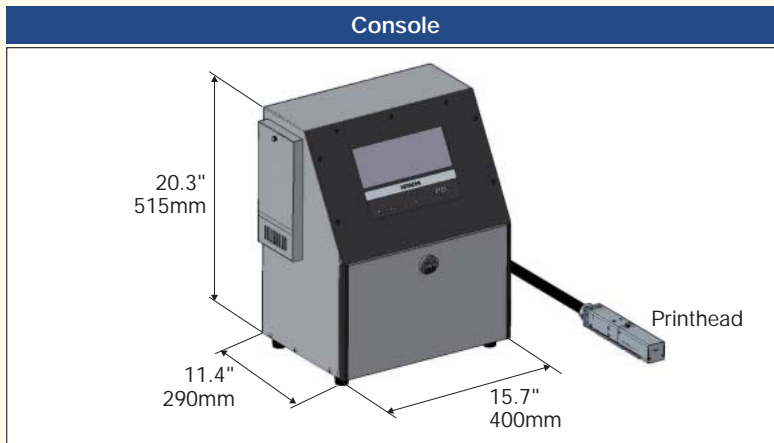
Printing specifications		
Model	PB-260U	PB-260E
Nozzle size	65 µm	
Max. number of lines	Up to 2 Lines	
Maximum number of characters per line	1 Line : Up to 80 characters 2 Lines : Up to 40 characters	
Fonts (Dot Matrix) (Horizontal x vertical)	1-2 Line : 5 x 8 (or 5 x 7), 7 x 10, 1 Line : 12 x 16	
Character height	1 line : 0.08–0.31 inches / 2–8 mm    2 lines total height : 0.18–0.31 inches / 4.5–8 mm	
Display & input device	Display : Liquid crystal display (8.9 inch, blue mode monochrome), back-light provided Input Device : Touch panel, confirmation beep	
Screen language	English	
Maximum print rate	Up to 821 characters/s (Font 5 x 7, space 1, 1 line)	
Standard characters	Alphanumeric (A–Z, a–z, 0–9), symbols (27), space : Total 90	
Number of user pattern storage capacity	Each dot matrix 40 characters	
Print functions	Calendar, counting, data storage (48 data), bold (2 times), speed follow-up, continuous printing, etc	
Input signals	Print target detection, rotary encoder pulse	
Output signals	Print ready, abnormality, alarm (open collector signal)	

General specifications		
Model	PB-260U	PB-260E
Printhead umbilical length	9.8 feet / 3m	
Operating temperature range	32–113F / 0–45	
Humidity range	30–90% R.H.*(no condensation)	
Power supply (Automatic Voltage selection)	AC 100–120 V±10% 50/60 Hz 150 VA	AC 100–120 / 200–240V±10 % 50/60 Hz 150 VA
Cabinet	Stainless Steel / IP45	
Overall size(width x depth x height)	400 x 290 x 515 mm / 15.7 x 11.4 x 20.3 inches	
Approximate weight	55 lbs / 25kg	
Approval	UL, cUL	CE,C-Tick

\*Note : When humidity is more than 85 % RH, please purge inside of print head by air.

Information in this brochure is subject to change without notice.

## Dimensions of Console and Printhead



For further information, please contact your nearest sales representative.

